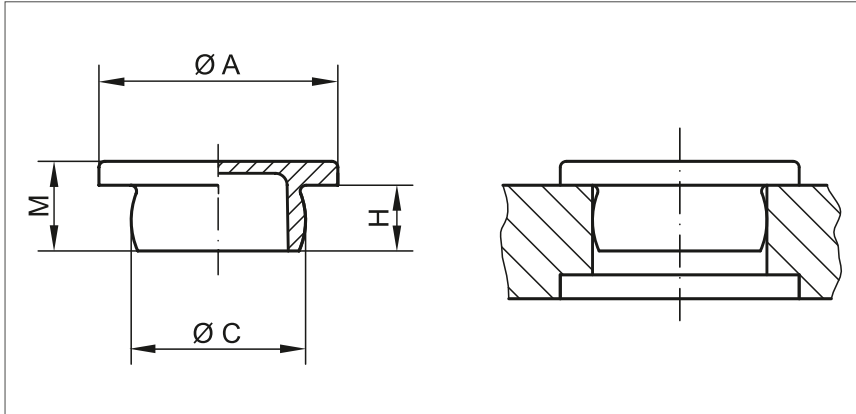


# Rectangular Plugs GPN 300 F



| Dimensions |      |     |      | Order no.  |
|------------|------|-----|------|------------|
| A          | C    | H   | M    |            |
| 5.0        | 3.1  | 2.0 | 3.0  | 300 F 1    |
| 7.0        | 4.7  | 1.8 | 2.6  | 300 F 011  |
| 9.0        | 6.6  | 4.0 | 5.2  | 300 F 012  |
| 14.0       | 7.2  | 6.0 | 8.0  | 300 F 2    |
| 14.0       | 8.4  | 6.0 | 8.0  | 300 F 3    |
| 14.0       | 8.6  | 4.5 | 6.5  | 300 F 031  |
| 18.0       | 8.6  | 6.0 | 8.0  | 300 F 0315 |
| 13.0       | 8.8  | 7.5 | 9.5  | 300 F 032  |
| 14.0       | 9.2  | 4.5 | 6.5  | 300 F 4    |
| 14.0       | 9.4  | 4.5 | 6.5  | 300 F 041  |
| 13.0       | 10.3 | 5.5 | 7.5  | 300 F 042  |
| 14.0       | 10.7 | 5.5 | 7.5  | 300 F 5    |
| 16.0       | 11.7 | 7.0 | 9.0  | 300 F 7    |
| 16.0       | 12.3 | 7.0 | 9.0  | 300 F 9    |
| 16.0       | 13.0 | 7.0 | 9.0  | 300 F 091  |
| 20.0       | 13.7 | 8.0 | 10.0 | 300 F 10   |
| 20.0       | 14.6 | 5.5 | 7.5  | 300 F 11   |
| 20.0       | 15.0 | 8.0 | 10.0 | 300 F 111  |
| 20.0       | 15.0 | 5.5 | 7.5  | 300 F 112  |
| 20.0       | 15.6 | 8.0 | 10.0 | 300 F 12   |
| 22.0       | 16.7 | 5.5 | 7.5  | 300 F 14   |
| 22.0       | 16.5 | 5.5 | 7.5  | 300 F 141  |
| 20.0       | 16.5 | 5.5 | 7.5  | 300 F 142  |
| 22.0       | 17.1 | 8.0 | 10.5 | 300 F 15   |
| 25.0       | 18.4 | 8.0 | 10.5 | 300 F 17   |
| 25.0       | 19.3 | 8.0 | 10.8 | 300 F 18   |
| 25.0       | 21.4 | 7.5 | 9.5  | 300 F 181  |
| 25.0       | 21.7 | 8.0 | 10.5 | 300 F 182  |
| 25.0       | 19.6 | 8.0 | 10.5 | 300 F 183  |
| 25.0       | 21.2 | 8.0 | 10.0 | 300 F 184  |
| 25.0       | 20.7 | 8.0 | 10.5 | 300 F 19   |
| 28.0       | 22.4 | 9.0 | 12.0 | 300 F 21   |
| 28.0       | 23.6 | 9.0 | 12.0 | 300 F 211  |

| Dimensions |       |      |      | Order no. |
|------------|-------|------|------|-----------|
| A          | C     | H    | M    |           |
| 28.0       | 24.0  | 9.0  | 12.0 | 300 F 22  |
| 28.0       | 24.6  | 9.0  | 12.0 | 300 F 23  |
| 27.0       | 24.5  | 8.5  | 11.0 | 300 F 231 |
| 28.0       | 25.5  | 7.5  | 9.5  | 300 F 232 |
| 28.0       | 26.5  | 9.0  | 12.0 | 300 F 233 |
| 36.0       | 29.0  | 12.0 | 15.0 | 300 F 24  |
| 36.0       | 30.5  | 12.0 | 15.0 | 300 F 241 |
| 36.0       | 31.0  | 12.0 | 15.0 | 300 F 242 |
| 36.0       | 32.0  | 10.0 | 12.5 | 300 F 25  |
| 36.0       | 33.5  | 12.0 | 14.0 | 300 F 26  |
| 42.0       | 34.8  | 15.0 | 18.0 | 300 F 27  |
| 42.0       | 35.5  | 15.0 | 18.0 | 300 F 271 |
| 42.0       | 36.5  | 15.0 | 18.0 | 300 F 28  |
| 42.0       | 38.4  | 10.0 | 12.5 | 300 F 30  |
| 42.0       | 39.0  | 15.0 | 18.0 | 300 F 301 |
| 42.0       | 40.0  | 15.0 | 18.0 | 300 F 31  |
| 45.0       | 40.7  | 15.0 | 18.0 | 300 F 311 |
| 48.0       | 42.3  | 15.0 | 18.0 | 300 F 312 |
| 55.0       | 46.0  | 18.0 | 21.0 | 300 F 32  |
| 55.0       | 48.5  | 12.0 | 15.0 | 300 F 33  |
| 55.0       | 51.5  | 18.0 | 21.0 | 300 F 35  |
| 63.0       | 55.0  | 18.0 | 21.0 | 300 F 37  |
| 63.0       | 55.8  | 18.0 | 21.0 | 300 F 38  |
| 63.0       | 58.0  | 18.0 | 21.0 | 300 F 40  |
| 71.0       | 66.0  | 18.0 | 21.5 | 300 F 401 |
| 63.0       | 59.0  | 18.0 | 21.3 | 300 F 402 |
| 78.0       | 71.0  | 18.0 | 22.0 | 300 F 41  |
| 86.0       | 75.8  | 19.0 | 22.0 | 300 F 411 |
| 95.0       | 86.0  | 18.0 | 19.3 | 300 F 42  |
| 124.0      | 102.5 | 18.0 | 21.5 | 300 F 44  |
| 152.0      | 123.5 | 18.0 | 21.5 | 300 F 47  |
| 165.0      | 152.0 | 17.5 | 20.0 | 300 F 52  |
| 200.0      | 182.0 | 19.5 | 22.0 | 300 F 55  |



Size in mm



**Multi Functional:** Multi functional use for internal threads and bore holes.



**Additional information:** Flat-headed design. Firm fit due to crowned shank.

**Material:**

Polyethylene (PE-LD)

**Material from GPN 300 F 52:**

Polyethylene (PE-LLD)

**Colour:**

Natural